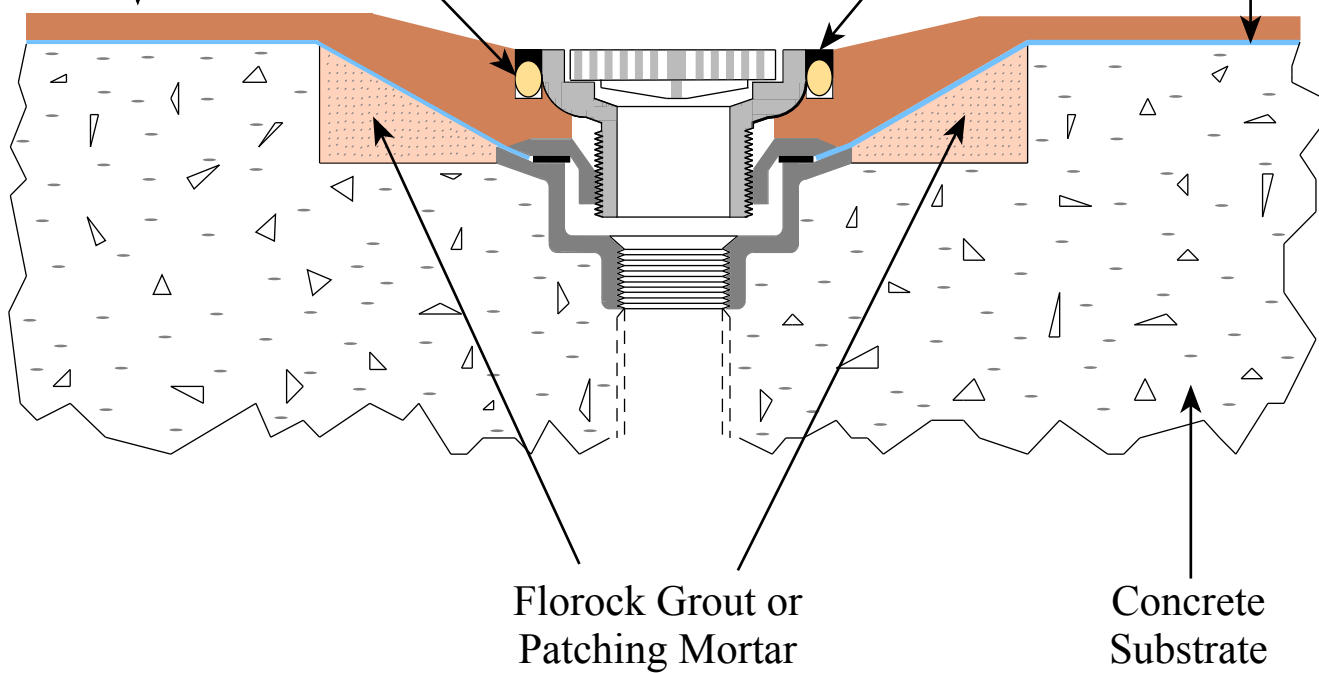


Florock Overlayment

FloroFlex 6500 EM
Waterproofing Membrane

Polyethylene
Backer Rod

FloroFlex 6500 JS
Elastomeric Joint Sealant



Florock Grout or
Patching Mortar

Concrete
Substrate

Note: Backing Rod positioned to provide an installed sealant depth that is equal to 50% of the joint width.

Florock[®]
Excellence in Polymer Flooring

Drain Detail
Gulley Drain
(With Waterproofing Membrane)

www.florock.co.uk
Tel No. 0800 731 1055
Email. info@florock.co.uk

Scale:
Not to scale

Date:
25/02/13

Drawn By:
CJG

Drawing No.
FL/044